
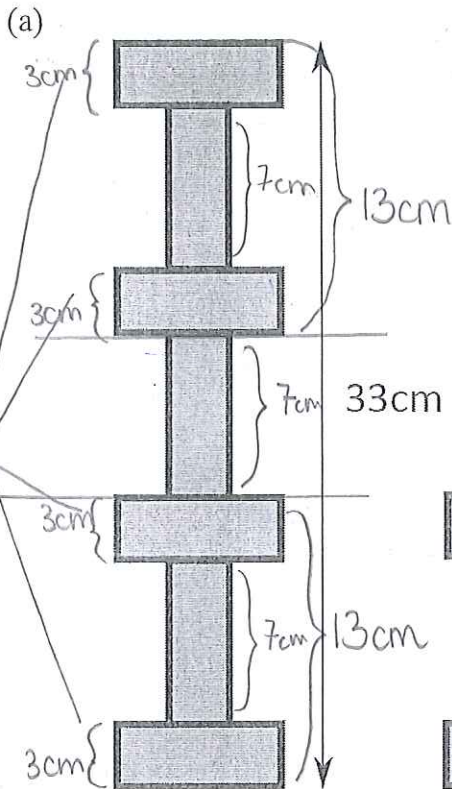


Copyright © University of Cambridge. All rights reserved.

'Perimeter Challenge' printed from <http://>

Show menu

In each of the following problems, work out the perimeter of one small rectangle: 



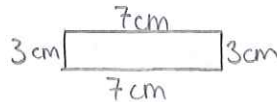
$$2 \times 13 = 26$$

$$33 - 26 = 7$$

$$7 \times 3 = 21$$

$$33 - 21 = 12$$

$$12 \div 4 = 3$$

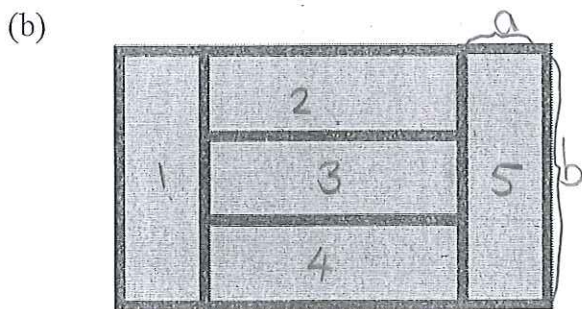


$$7 \times 2 = 14$$

$$3 \times 2 = 6$$

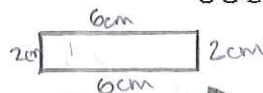
$$14 + 6 = 20$$

perimeter = 20 cm



Area of whole rectangle

$$= 60 \text{ cm}^2$$



$$6 \times 2 = 12$$

$$2 \times 2 = 4$$

$$12 + 4 = 16$$

$$\text{perimeter} = 16 \text{ cm}$$

$$60 \div 5 = 12$$

area of one small rectangle $\square = 12 \text{ cm}^2$

a \square b area = a x b
factors of 12:

$$1 \times 12$$

$$2 \times 6$$

$$3 \times 4$$

The longer side (b) = 3a

Therefore ...

$$1 \times 12$$

$$(2 \times 6) \rightarrow 6 = 3 \times 2$$

$$3 \times 4$$